

Tray Drying Ovens



- › Granulation Drying
- › Tablet drying and curing
- › Sizes from 100 to 400 kg
- › From one chamber with one cart to two chambers with four carts
- › 24 trays per cart. Tray capacity of 3 to 5 kg of wet granulation
- › Product Contact 316L Stainless Steel
- › Non-Product Contact 304-2B Stainless Steel



960-013-0317



Control Panel

› Options Available

- Recirculation
- Steam, electric or heating
- HEPA clean air filters
- Variable speed drives
- High and low temperatures alarms
- Automatic purging
- Chart Recorder
- 21 CFR Part II controls
- Explosion-proof motors and controls
- Humidification
- Dehumidification

visit: www.oharatech.com

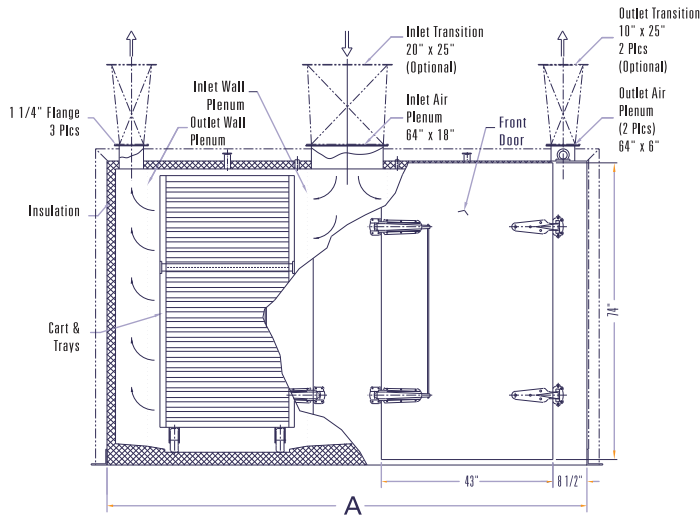
O'Hara Technologies Inc.

Tel: +1 (905) 707 3286
Email: sales@oharatech.com
20 Kinnear Court Richmond Hill, Ontario Canada, L4B 1K8

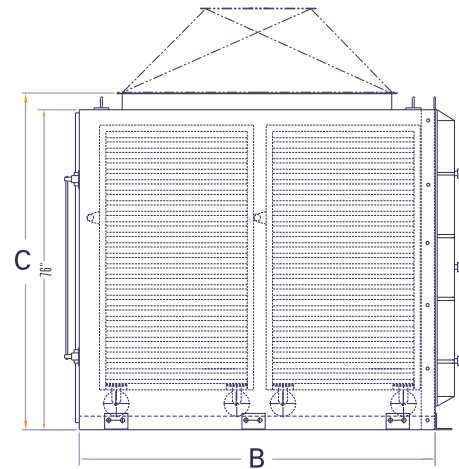


ISO 9001
FM 47081293

Tray Dry Ovens Specifications*



^ Front View



^ Side View

^ Benefits

- Oven capacities range from 100 to 400 kg
- Perforated or solid trays
- Cart runs on fabricated wheel runners
- Heavy duty doors with removable silicone rubber gaskets
- Semi-automatic or fully programmable controls
- Single pass or recirculated process air with make-up air
- Optional drains
- Steam or electric heating
- HEPA filter for 99.99% clean air chamber
- Standard or explosion-proof construction
- Wide range of options to suit your process

^ Model

	100K	200K	400K
Capacity (kg)	100	200	400
No. of chambers			
No. of trays	24	48	96
Capacity of trays (kg)	3-5	3-5	3-5
Heat-stream (single pass) (Btu/hr)	250	500	1000
Air single pass m ³ /h (CFM)	1870 (1100)	3740 (2200)	6500 (4000)
Drying cycle time	4 hrs to 7 days	4 hrs to 7 days	4 hrs to 7 days

^ Dimensions/Weight

Overall dimensions			
Width (A)	60 (1525 mm)	60 (1525 mm)	120 (3050 mm)
Depth (B)	46 (1170 mm)	84 (2235 mm)	84 (2235 mm)
Height (C)	80 (2030 mm)	80 (2030 mm)	80 (2030 mm)
Weight	1600 lbs (730kg)	3000 lbs (1360 kg)	6200 lbs (2820 kg)
Tray cart dimensions			
Width (A)	36 (915 mm)	36 (915 mm)	36 (915 mm)
Height (B)	69 (1750)	69 (1750)	69 (1750)
Depth (C)	34 (865 mm)	34 (865 mm)	34 (865 mm)
Tray dimensions			
Width (A)	33 (840 mm)	33 (840 mm)	33 (840 mm)
Height (B)	1 (25 mm)	1 (25 mm)	1 (25 mm)
Depth (C)	33 (840 mm)	33 (840 mm)	33 (840 mm)

All weights are estimated. *Specifications shown are subject to change without notification.

960-013-0317

visit: www.oharatech.com

O'Hara Technologies Inc.

Tel: +1 (905) 707 3286
 Email: sales@oharatech.com
 20 Kinnear Court Richmond Hill, Ontario Canada, L4B 1K8



ISO 9001
 FM 47081293